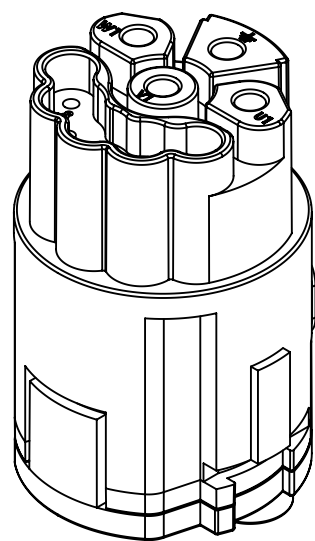



upper part, female

bottom part, female



enclosed as two parts

	All rights reserved Department EL PD	All Dimensions in mm Original Size DIN A4		Scale 2:1	Free size tol.		Ref.	
		HARTING Electric GmbH & Co. KG D-32339 Espelkamp		Created by DYCKC	Inspected by GRUBES	Standardisation TIEMANNA	Date 2019-07-19	State Final Release
Title M23 P 5+3+PE Female -C (A)							Doc-Key / ECM-Nr. 100737289/UGD/000/E 500000155114	
Type TB				Number 09 15 609 3101			Rev. E	Page 1/1